

Product Specification:

BioBidet Wash Dry Toilet Seat (BB800)

BioBidet BB800

As with the BB1000 and BB1000AA models, the BioBidet BB800 offers cleaning features which can be found in a specialist wash/dry toilet but in just the seat, saving the cost of having a complete toilet fitted.

The BioBidet has a patented “1 pocket 3 nozzle” system for completed hygiene and a built in side control panel to select the desired function and adjust water temperature and pressure.

Wash options include posterior wash, anterior wash, turbo wash with aerated water and a pulsating massage setting. Warm air after the cleaning cycle also assists with drying for comfort and convenience. The BB800 BioBidet toilet is operated by a built in control panel on the seat .

The BioBidet automatically washes its cleaning nozzle before and after every use for maximum hygiene and has a soft close lid, heated seat, built in lime scale filter, and a deodoriser which is automatically activated when the seat is in use.

The BioBidet BB800 wash/dry toilet seat is a cost effective toilet solution which is suitable for use in Changing Places facilities



Integrated control panel for easy self cleaning



Warm air drying system



Oscillating 3 in 1 nozzle (turbo, posterior & anterior)



Fits to most toilets & comes with toilet raiser options



STANDARD FEATURES

- SWL 133kg/21st
- Integrated control panel
- Posterior, anterior and turbo wash
- Adjustable air temperature and water pressure
- Heated seat (room temperature to 40°C)
- Connects to electric and water supply
- Deodoriser
- Built in filter
- Self-cleaning and self-diagnosis systems
- Air drying
- Seat sensor
- Quick release to detach from toilet
- Suitable for use in Changing Places facilities



OPTIONAL EXTRAS

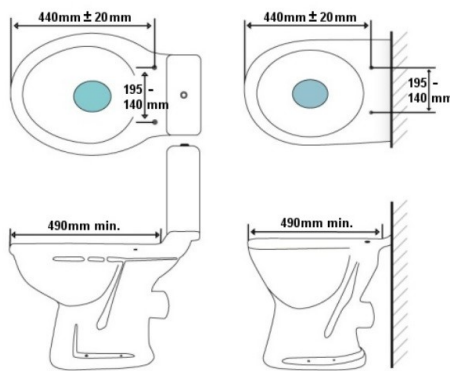
- 50mm toilet seat raiser (spacer)
- 80mm toilet seat raiser (spacer)

Model: BioBidet Wash Dry Toilet Seat BB800





Product Code/s: 02.082.90.0001

Seat Size: 493mm (L) x 383mm (W)

Compatible WCs:



Features:

	SWL 133kg			
Independent Use	133kg/21st SWL	Air Drying System	Posterior & Anterior Wash	Many More Features

Options:


Toilet Seat Raisers

Dependency Level:

Medium Dependency

Application:

Private Home	Leisure Centre	Care Home	Nursing Home	Respite Home	Changing Places 
--------------	----------------	-----------	--------------	--------------	---

Technical Drawing:

