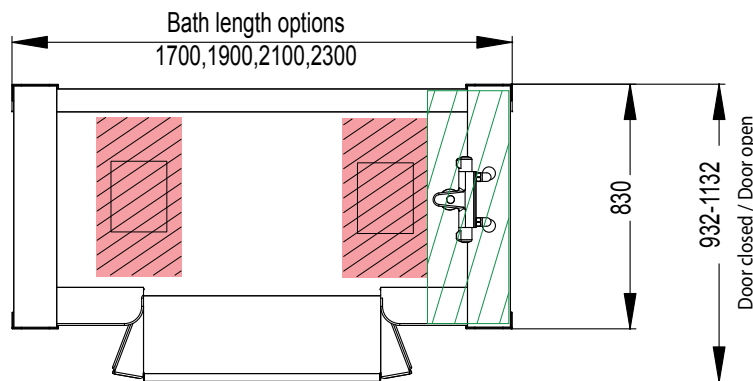
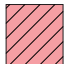



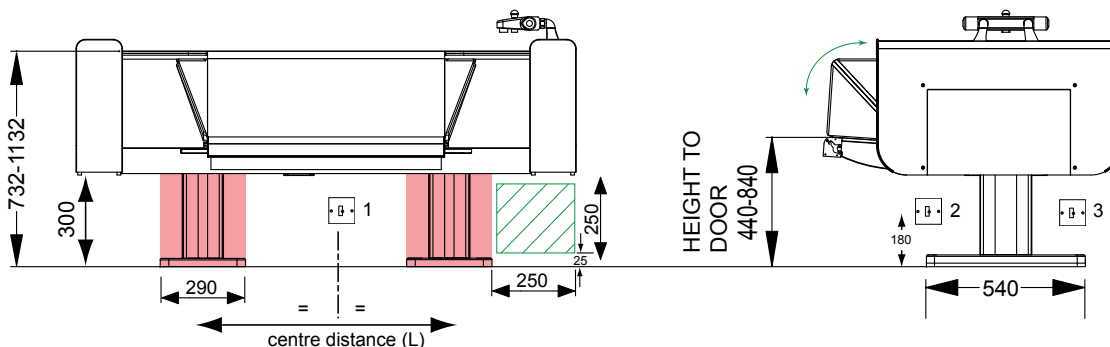
# Vanna Height Adjustable Bath Pre installation requirements



Bath length (mm)	Centre distance 'L' between feet (mm)	'D'
1700	838	280
1900	958	320
2100	1078	360
2300	1198	400

 No obstructions can be laid in these areas

 Hot and cold ball type isolation valves and 40mm waste to be fitted in the green area



All wall and floor decoration must be complete prior to installation.

**NOTE:** Floors must be flat and level in the area where the bath is to be installed. If this is not possible Astor Bannerman MUST be informed prior to installation.

## Plumbing

We require Hot and cold ball type isolation valves (22mm) fixed entirely within the green area shown above. A 40mm waste is required within the green area no more than 200mm from the floor.

**Thermostatic Taps** require a minimum dynamic water pressure of 1 bar (14.5psi) and a maximum of 10 bar. The pressure ratio between hot and cold must not exceed 5:1.

**NOTE:** Thermostatic taps are not compatible with NON-Modulating Combination Boilers.

## Electrics

We require a 230 volt, 1.25kW switched waterproof flex outlet, located within the footprint of the bath at any of the wall positions (1,2,3), supplied by a protected fused spur.

## Fixing and Positioning

The Vanna is floor standing and secured to the floor. Floors must flat and level with sufficient depth to accept 50mm long M8 expansion bolts (under-floor heating cannot be laid under the bath).

Walls need to be plumb, flat and clear of obstructions from floor level to a height of 1200mm. Allow a minimum gap of 40mm at each end and the fixed side plus a 850mm minimum clearance for the hinged door side.

If a Neatfold stretcher is specified, extra clearance of 60mm may be required. Contact Astor Bannerman for details. Floors must be strong enough to support the weight of the bath.

Skirting boards may be left in place. The wall and floor decoration must be COMPLETE prior to installation.

Astor Bannerman (Medical) Ltd. Fax: 01242 821110

Unit 11f Coln Park Email:sales@astorbannerman.co.uk

Andoversford Web:www.astorbannerman.co.uk

Gloucestershire GL54 4HJ Tel.: 01242 820820

Version V5 Date 110614

# Vanna Height Adjustable Bath Pre installation checksheet



Please read and check the sections below before ticking each box

**THIS SHEET MUST BE COMPLETED AND RETURNED BEFORE INSTALLATION CAN TAKE PLACE**

## Plumbing

- 1. Hot and cold supplies are installed in the green shaded area shown overleaf terminating in 22mm ball type isolation valves fitted at a max. height of 200mm from the floor.
- 2. A 40mm waste is installed in the green shaded area shown overleaf and is within 200mm from the floor.

## Electrics

- 1. A 230 Volt 1.25kW switched waterproof flex outlet, located as shown overleaf, supplied from protected fused spur is installed and operational.   
Please identify location.....
- 2. We are willing to have the Astor-Bannerman installer run flex encased in surface conduit from the site of the flex outlet to the bath.

## Floor

- 1. The floor is finished, flat and free of obstructions in and around the bath area.

## Walls

- 1. Walls are plumb, flat and clear of obstructions from floor level to 1200mm from the floor.
- 2. There is sufficient space around the bath to provide a minimum 40mm gap at the fixed side and each end plus 850mm on the hinged door side.

## Access

- 1. The unit is not required to be installed upstairs/through difficult access.   
Or
- 2. The unit is required to be installed upstairs/through difficult access but necessary arrangements have been made to assist the Astor-Bannerman engineer.
- 3. The bath will be used as part of    A: single user environment     B: a multi user environment

## Important

We confirm that 230 Volt mains power supply (not temporary supply), hot and cold water supplies and waste pipe will be connected and operational BEFORE the Astor-Bannerman engineer visits.

## This last box must be ticked before we are able to release the goods for installation.

We understand that if the above works are not complete, any on site waiting time will be charged to us at **£80** per hour and should the site require a second visit due to the above requirements not being met an additional **£845.00** per visit will be charged and we agree to pay those charges..

Signed ..... Date .....

Print name ..... Job number .....

Site address .....

Astor Bannerman (Medical) Ltd. Fax: 01242 821110  
Unit 11f Coln Park Email:sales@astorbannerman.co.uk  
Andoversford Web:www.astorbannerman.co.uk  
Gloucestershire GL54 4HJ Tel.: 01242 820820