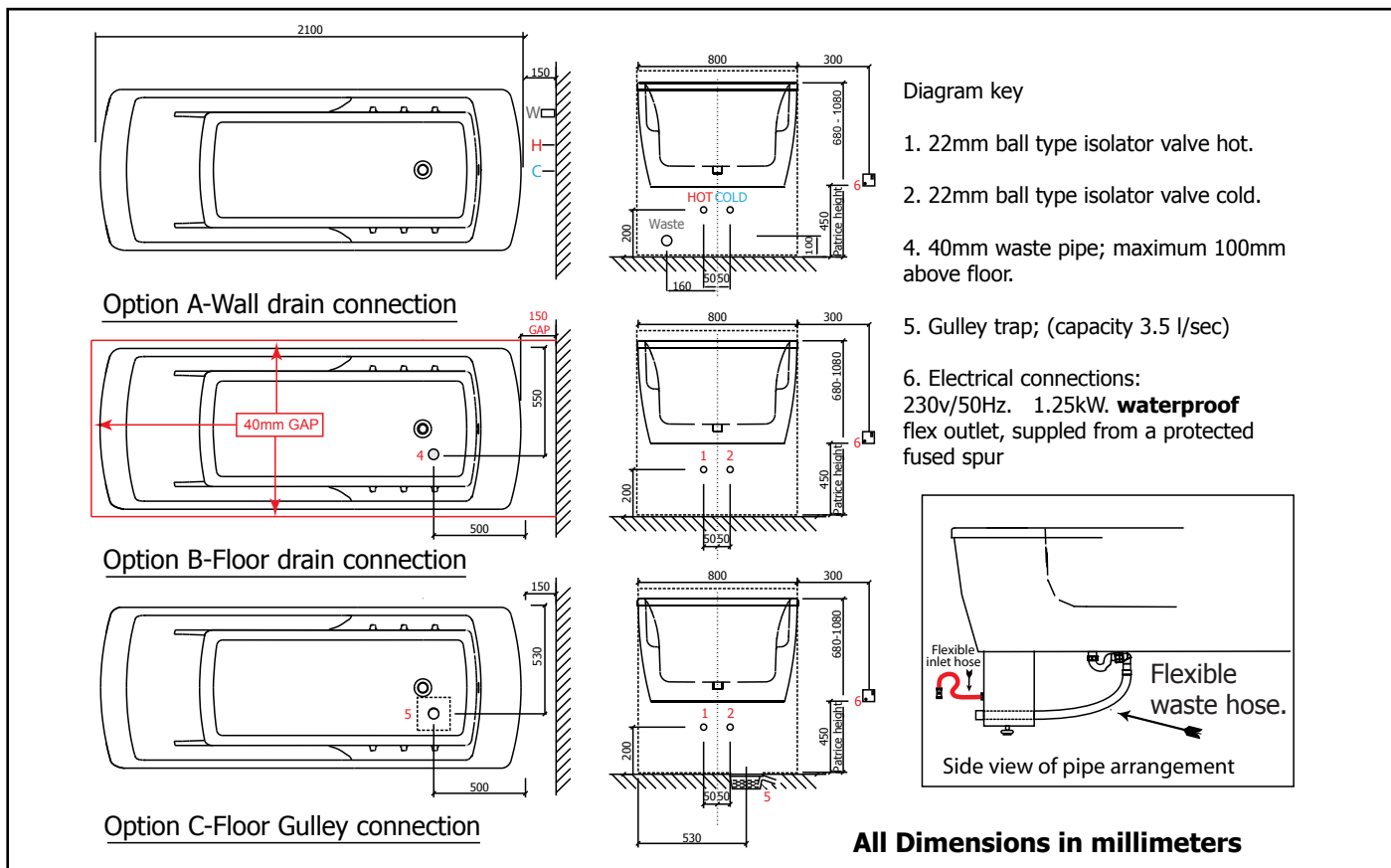


Avero Height Adjustable Bath Pre installation requirements



All wall and floor decoration must be complete prior to installation.

NOTE: Due to the capacity of this bath being greater than 230 litres The Local Water Authority must be informed of it's installation. This is a Water Authority Regulation.

Plumbing
We require ball type isolation valves (22mm) fixed in positions (1 & 2) shown above. The valves should be parallel to the wall and pointing upwards with the top of the valves 200mm from the floor. The pipes can be fed through the floor or wall, or along the wall from either side.
A 40mm waste is required in one of the three options above.
No obstructions can be laid in the area around the support frame.

Thermostatic Taps require a minimum dynamic water pressure of 1 bar (14.5psi) and a maximum of 10 bar. The pressure ratio between hot and cold must not exceed 5:1.
NOTE: These taps are not compatible with NON-Modulating Combination Boilers.

Electrics
A 230 volt, 1.25 kW waterproof flex outlet, located in position (6) (left or right side is acceptable) supplied by a protected fused spur is required.

Fixing and Positioning
The bath is free standing. Please indicate any under floor heating. (In case a Floor Mounted Gantry is required). We require a minimum of 40mm gap at each side and head end and 150mm at the tap end of the bath. If a Neatfold stretcher is specified, extra clearance may be required. Contact Astor Bannerman for details. Floors must be strong enough to support the weight of the bath. Walls need to be plumb, flat and clear of obstructions from floor level to 1150mm. Skirting boards may be left in place. The wall and floor decoration must be COMPLETE prior to installation.

Avero

Height Adjustable Bath

Pre installation checksheet



Please read and check the sections below before ticking each box

THIS SHEET MUST BE COMPLETED AND RETURNED BEFORE INSTALLATION CAN TAKE PLACE

Plumbing

1. Hot and cold supplies are installed in positions (1 & 2) terminating in 22mm ball type isolation valves fitted at a height of 200mm from the floor to the top of the valves.
2. A 40mm waste is installed in one of the areas as shown overleaf.

Electrics

1. A 230 Volt 1.25 kW waterproof flex outlet, located as shown overleaf, supplied from protected fused spur is installed and operational.
Please identify location.....
2. We are willing to have the Astor-Bannerman installer run flex encased in surface conduit from the site of the flex outlet to the bath.

Floor

1. The floor is finished, free of obstructions around the base area.
2. Is there under floor heating in the area of the proposed installation. YES NO
If YES please contact Astor Bannerman

Walls

1. Walls are plumb, flat and clear of obstructions from floor level to 1150mm from the floor.
2. There is sufficient space around the bath to provide a minimum 40mm gap at each side and the head end and 150mm gap at the tap end.
3. The WALL and FLOOR decoration is complete.

Access

1. The unit is not required to be installed upstairs/through difficult access
Or
2. The unit is required to be installed upstairs/through difficult access but necessary arrangements have been made to assist the Astor-Bannerman engineer
3. The bath will be used as part of A: single user environment B: a multi user environment

Important

We confirm that 230 Volt mains power supply (not temporary supply), hot and cold water supplies and waste pipe will be connected and **OPERATIONAL BEFORE** the Astor-Bannerman engineer visits.

This last box must be ticked before we are able to release the goods for installation.

We understand that if the above works are not complete, any on site waiting time will be charged to us at **£80** per hour and should the site require a second visit due to the above requirements not being met a second additional installation charge will be made and we agree to pay those charges.

Signed Date

Print name Job number

Site address

Astor Bannerman (Medical) Ltd. Fax: 01242 821110
 Unit 11f Coln Park Email:sales@astorbannerman.co.uk
 Andoversford Web:www.astorbannerman.co.uk
 Gloucestershire GL54 4HJ Tel.: 01242 820820