

CTM3: Manual Changing Table Installation instructions



IMPORTANT
READ THIS
MANUAL
BEFORE USE

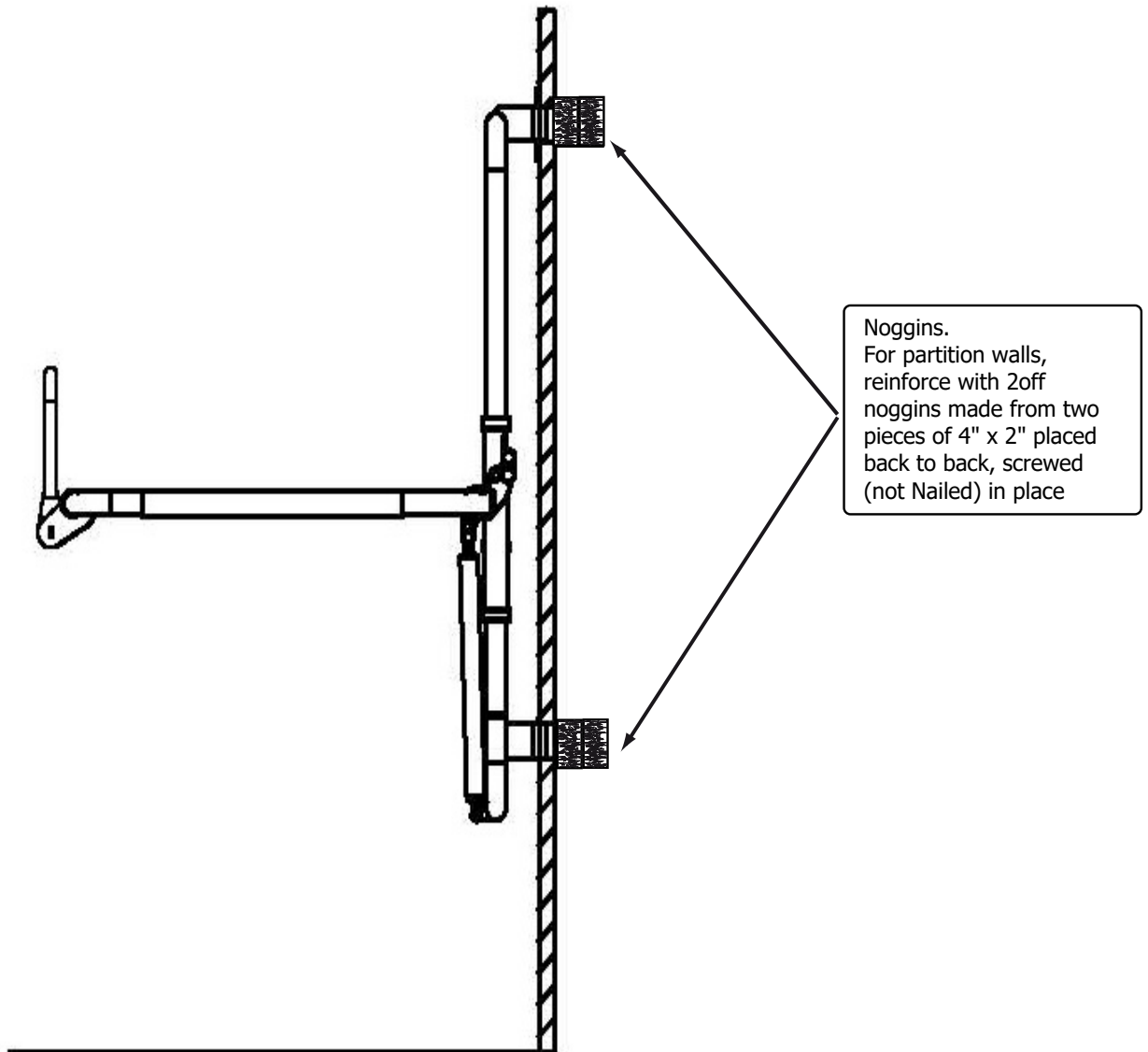


Advice for safe Installation

- **The wall must be of solid construction and load bearing, capable of supporting 250Kg**
- **Safe Working Load of Changing Table. (SWL) :150 kg**
- **Select the correct Anchors before installation,
DO NOT ATTEMPT TO INSTALL USING PLASTIC WALL PLUGS AND
WOODSCREWS**
- **Please Note: Due to the complexity of different building methods
Astor Bannerman does not supply installation fixings and anchors**
- **N.B The Changing table cannot be installed on a Gypframe™
wall with metal studs**

CTM3 Change Table Installation Position

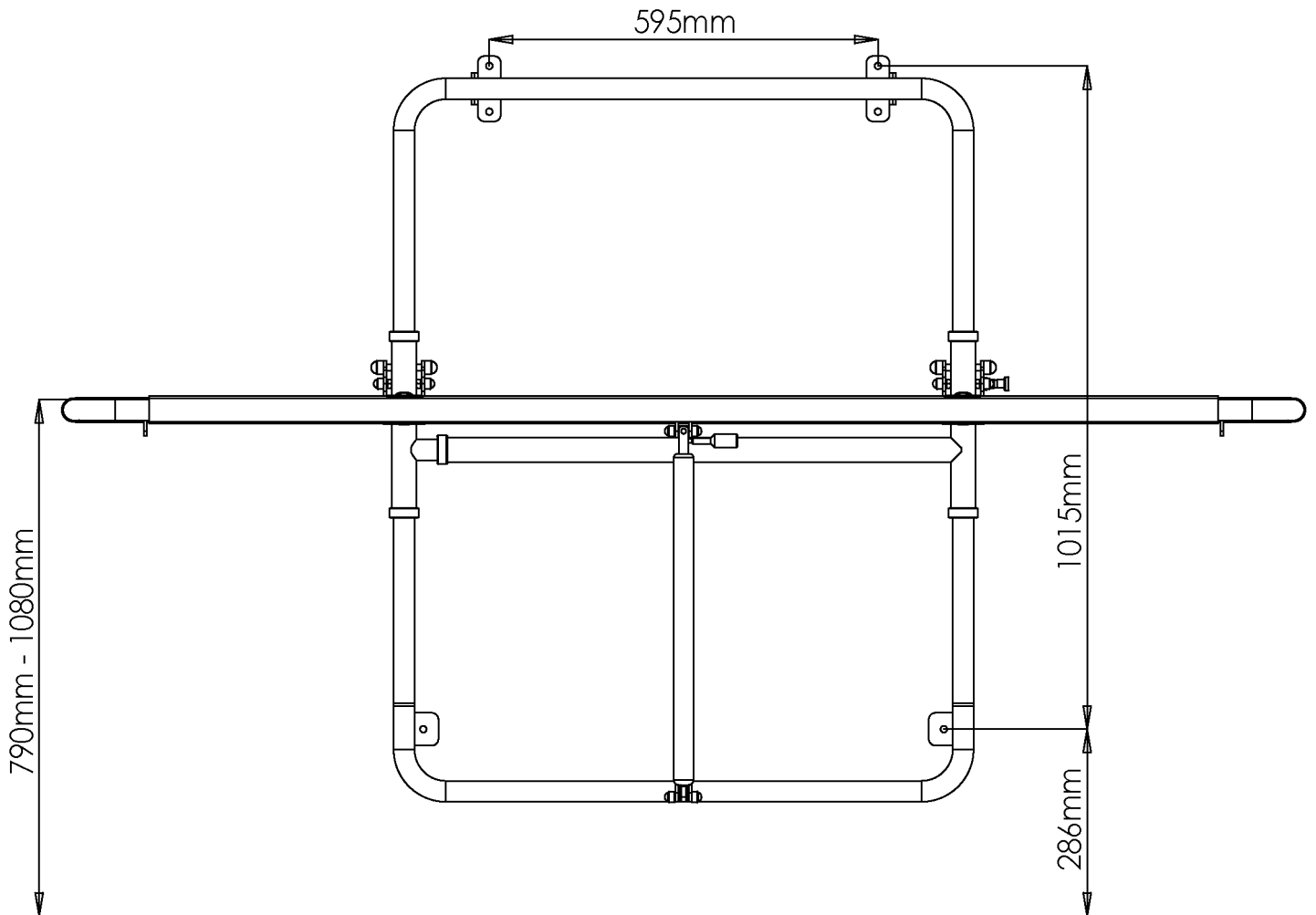
**Stud Walls with
wood supports**



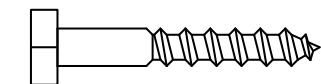
N.B picture shows optional guard rail

CTM3 Change Table

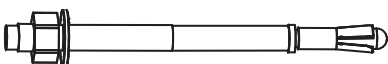
Advised installation position



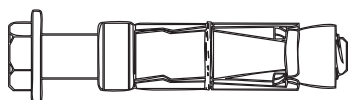
Bolts are 8mm Diameter



Coach Screw (75mm long.)

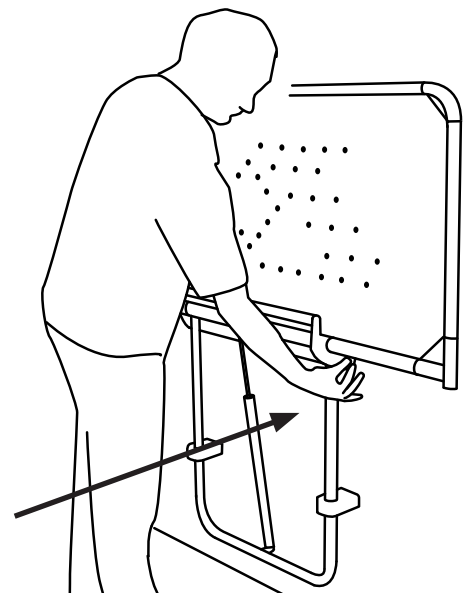


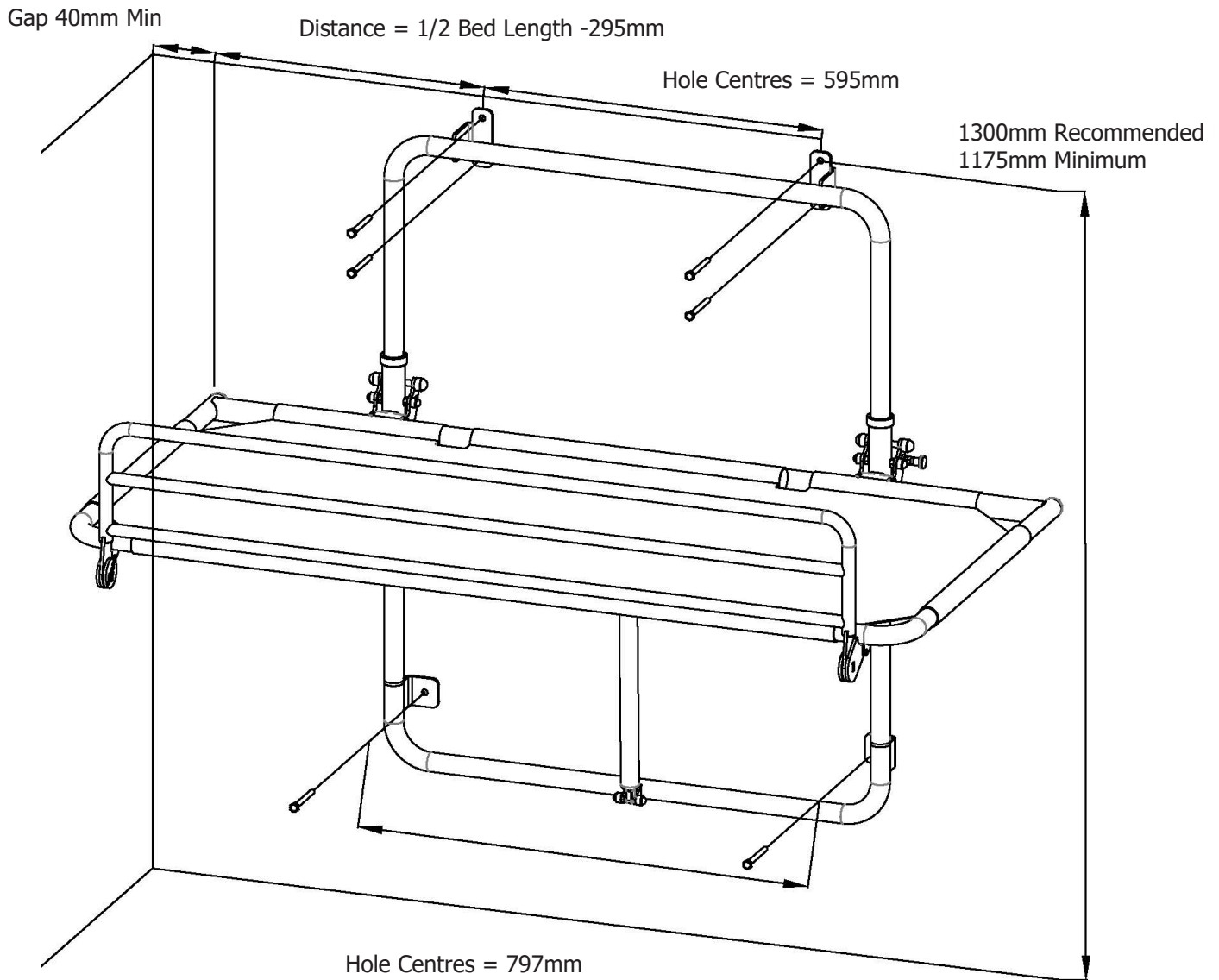
Through Anchor



Rawl Bolt (shield anchor)

To release the bed pull the black knob outwards





Installation process.

1. Unpack the unit.
2. Determine the position of the unit on the wall ensuring that the lower mounting fixing points are at least 286mm from the floor. The range of travel for the stretcher is 290mm. If the lower fixing points are drilled at 286mm from floor level the stretcher will operate from 790mm to 1080mm.
3. Mark the hole positions for the upper blocks carefully ensuring that the two sets of marks are level. Fix the unit to the wall.
4. Hinge the unit upwards or remove from the fittings, then mark hole position for the lower fixings.
5. Drill full-depth holes at all four marked positions to accept your Anchors.
6. For fixing to ply only. Drill full depth pilot holes at all 4 marked positions. (8MM Ø Coach screws are usually used for plywood).
7. Fit the CTM3 frame onto the wall and secure.