

Product Specification:



Highlights:

- Ergonomically shaped for comfort and support
- Stainless Steel frame
- Removable washable mesh cover
- Non-slip grip handles and sucker feet for secure fit in bath

The Astor-Bannerman Bath Cradle has been designed to allow those that need a little extra support in a bath to relax and enjoy the bathing experience .

The mesh cover is quick drying, easily removable and fully washable.

The cradle is simply inserted in to the bath, ensuring the non-slip grip handles are resting on the side of the bath securely, and the foot suckers are secure. The cradle can be positioned anywhere along the bath to suit the user's size.



STANDARD FEATURES

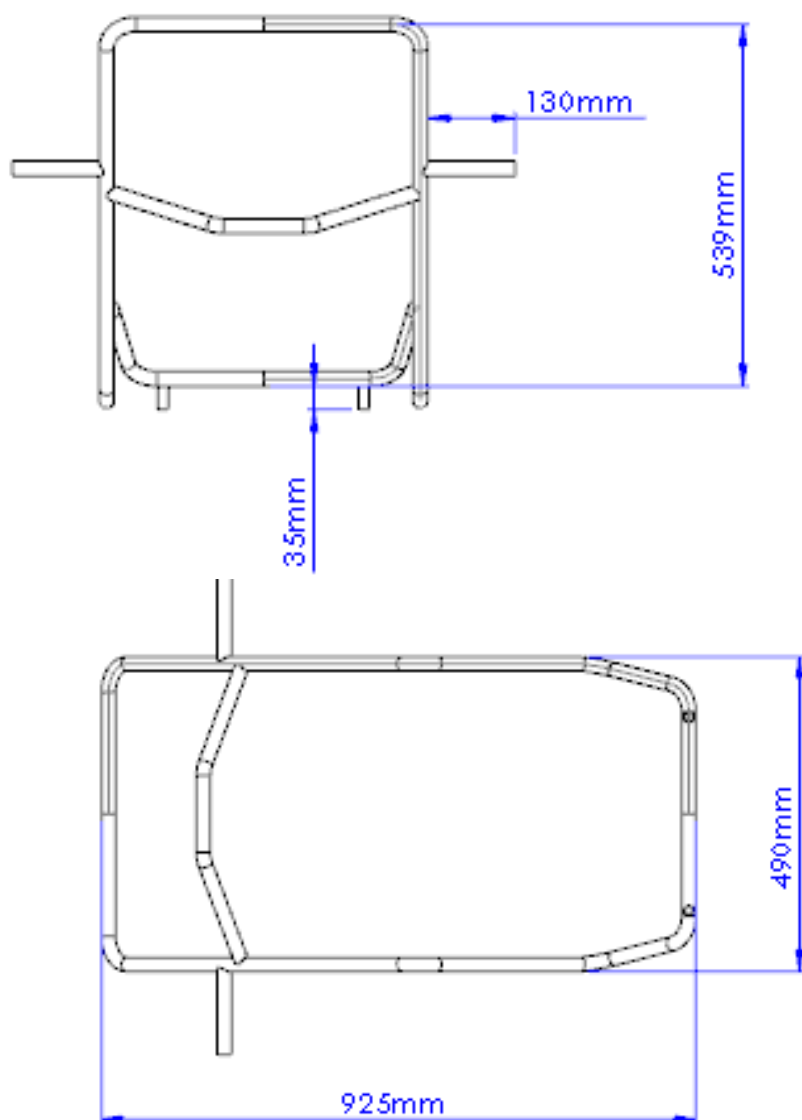
- SWL 120 kg
- Height 539mm
- External dimensions 925mm (L) x 490mm (W)
- Stainless Steel design—rust free
- Compatible with the Astor-Bannerman Kiva and Rio Baths
- Removable, washable mesh covering

Product Code: 00.020.00.0001

Dimensions: 925mm (L) x 490mm (W)

Height Range: 539mm

Technical Drawings:



Astor-Bannerman Unit 11F Coln Park, Andoversford, Cheltenham, Gloucestershire, GL54 4HJ

sales@astorbannerman.co.uk

01242 820820

www.astorbannerman.co.uk